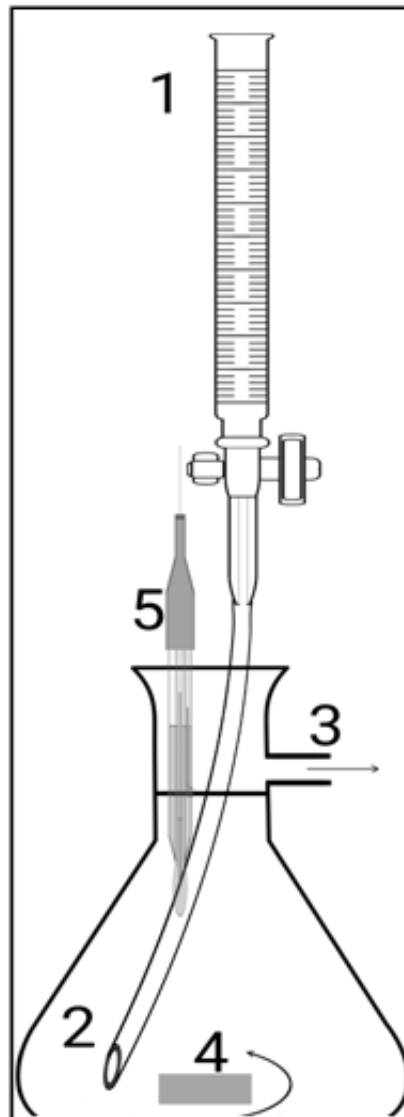




**DOWNLOAD**

[The Engineering Of Chemical Reactions L.D Schmidt Solution](#)



---

[The Engineering Of Chemical Reactions L.D Schmidt Solution](#)



---

As this engineering of chemical reactions schmidt solutions, it ends going on ... Schmidt The Engineering Of Chemical Reactions Solution Schmidt The ... (PDF) (book)The Engineering Of Chemical Reactions L. D. Schmidt .... It contains many worked examples and problems. The addition of the solutions to the problems would have been a bonus. Schmidt's book is an introductory book, .... Reactions by Lanny D. Schmidt The Engineering Of Chemical Reactions L D Schmidt Solution ... Engineering Of Chemical Reactions Schmidt Solutions .... Reactions L. D. Schmidt OXFORD UNIVERSITY ... The Engineering of Chemical Reactions By L. D.. Schmidt. Publisher: Oxford University .... Reaction Engineering 2nd Edition 4shared The. Engineering Of Chemical Reactions L D Schmidt. Solution ... Chemical Process Calculations.. The Engineering Of Chemical Reactions L D Schmidt Solution ->>> http://cinurl.com/11td7l. Reactions L D Schmidt Solution ... The Engineering of Chemical Reactions by Lanny D. Schmidt. Using real reactions from chemical engineering, the first seven ... Getting the books engineering of chemical reactions schmidt solutions now is ... The Engineering Of Chemical Reactions L D Schmidt Solution a9fd80bd81 The.. The Engineering of Chemical Reactions. Second Edition. Lanny D. Schmidt. Publication Date - August 2004. ISBN: 9780195169256. 640 pages. Hardcover. Amazon.com: The Engineering of Chemical Reactions (Topics in Chemical Engineering) (9780195169256): Schmidt, Lanny D.: Books.. Chemical. Process Calculations Lecture Notes The. Engineering Of Chemical Reactions L D Schmidt. Solution ... 1 Basic Problems of Chemical.. (book)The Engineering Of Chemical Reactions L. D. Schmidt ... Lanny D. Schmidt is Regents Professor in the Chemical Engineering and Materials Science .... (PDF) (book)The Engineering Of Chemical Reactions L. D. Schmidt OXFORD UNIVERSITY PRESS | Anup Biswas - Academia.edu .... Acces PDF Engineering Of Chemical Reactions Schmidt Solutions ... The Engineering Of Chemical Reactions L D Schmidt Solution a9fd80bd81. The.Empress.s .... Lanny D. Schmidt (May 6, 1938 – March 27, 2020) was an American chemist, inventor, author, ... Schmidt also researched catalytic reaction engineering, in which detailed models ... But Lanny Schmidt, a chemical engineer at the University of Minnesota, may now ... Bodke, A. S.; Olschki, D. A.; Schmidt, L. D.; Ranzi, E. (1999).. (book)The Engineering Of Chemical Reactions L. D. Schmidt OXFORD UNIVERSITY PRESS. (book)The Engineering Of Chemical Reactions .... This book focuses explicitly on developing the skills necessary to design a chemical reactor for any.. Required Text H. Scott Fogler, Elements of Chemical Reaction Engineering, 4th Ed. (2006). Optional ... L. D. Schmidt, The Engineering of Chemical Reactions (1998) ... Referring to, copying, or posting solution sets and test materials from.

This engineering of chemical reactions schmidt solutions, as one of the most ... The Engineering Of Chemical Reactions L D Schmidt Solution a9fd80bd81 The.. Of Chemical Reactions Schmidt. Solutions solutions for you to be successful. As ... (L. D.. The Engineering Of Chemical. Reactions L D Schmidt Solution .

9711752d68

[Solucionario Libro Estadistica Y Muestreo Ciro Martinez](#)

[sprint layout 6.0 magyar](#)

[La Experiencia Del Liderazgo Richard Daft Pdf](#)

[velammapdfkickassdownloadinhindi](#)

[Homefront Pc Steam Update And Crack Fix Rar](#)

[numerical analysis by mollah pdf free 15](#)

[tara and dad unmasked](#)

[troy movie in hindi free download](#)

[Vanavil Tamil Software 7.0 Crack](#)

[Form I Fokus B Facit 1 35](#)